

VIBRATING
HOPPER
V05

Deposited licence



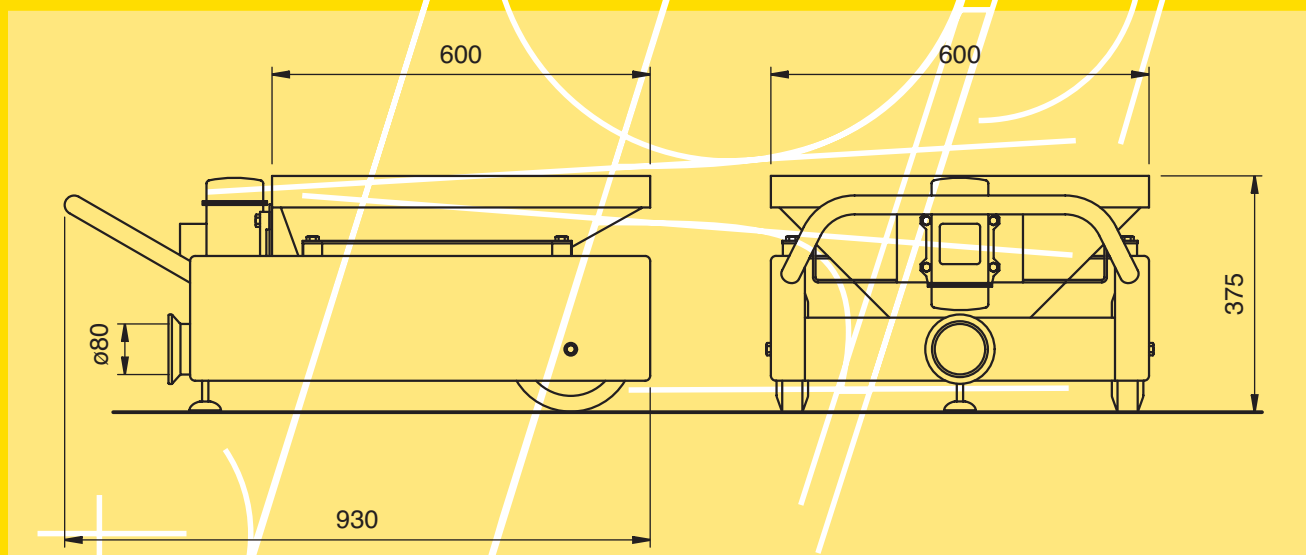
we deal with
wine
respecting the culture
it represents



www.francescapompeenologiche.com

e-mail: info@francescapompeenologiche.com

40026 IMOLA (BO) - ITALY
Via Ercolani, 7/c
Tel. 0542.643474 - Fax 0542.647342



In the constant research for products respecting wine in all aspects of its production process, Francesca Pompe Enologiche have patented another very useful attachment for your wine cellar: the

VIBRATING HOPPER

This hopper collects the pressed grapes falled from the degrading machine, it homogeneizes it and conveys it to the suction hose of the pump and with **the sole use of vibration and of the particular inclination of its plans**. Easily transportable, washable and sterilizable.